

Slit Nozzles (Air Curtain)

SLNHA-H series

For compressors

Stainless Steel
/PVC

FEATURES

- Produces laminar air flow with uniform spray impact distribution.
- Compact and space-saving design.

For liquid spraying, available is SLNH-H series with uniform spray flow distribution. For details please refer to our hydraulic spray nozzle catalog.

Flat Type

[Spray pattern]



Material: S304, PVC

Lightweight type



Please inquire with us for details of lightweight type.

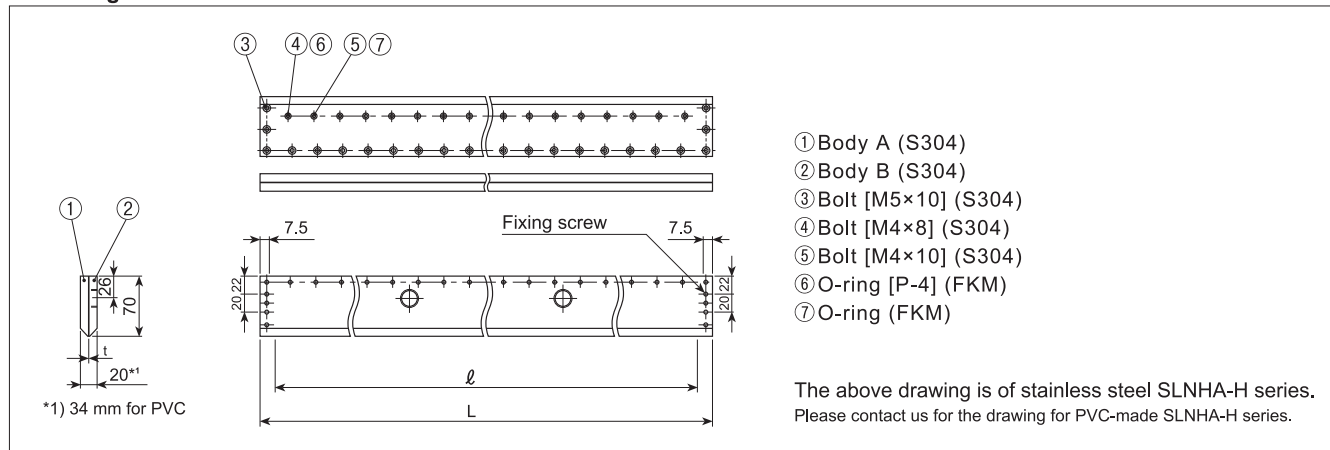
Dimensions and mass

Slit length ℓ (mm)	Slit opening t (mm)	Number of inlets	Thread size		Total length (mm)		Mass (kg)	
			Fluid inlet	Fixing	L	S304	PVC	
530	0.1	2	3/8F	M5	560	5.0	1.5	
700					730	6.5	1.9	
810			840		7.5	2.2		
900			930		8.0	2.5		
1,400			1,430		12.0	4.0		

Depth of the fixing screw is 8 mm for S304, 10 mm for PVC.

Appearance and dimensions may differ slightly depending on materials and nozzle codes.

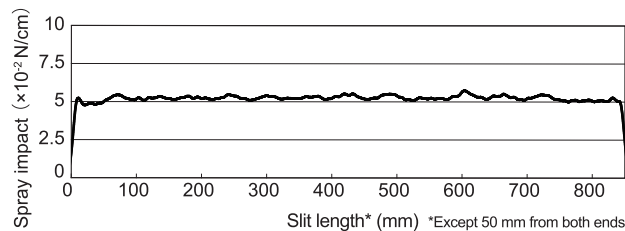
Drawing



Spray impact distribution

[Nozzle: SLNHA-H 850×0.1]

Slit opening: 0.1 mm
 Slit length: 850 mm
 Spray height: 5 mm
 Air pressure: 0.05 MPa
 Air consumption: 1,090 ℓ/min, Normal



Spray impact

Max. value: 5.7×10^{-2} N/cm
 Min. value: 5.0×10^{-2} N/cm
 Median value: 5.4×10^{-2} N/cm
 Deviation from median: $\pm 6.5\%$

Slit length (mm)	Slit opening (mm)	Air consumption (ℓ/min, Normal)*2							
		0.01 MPa	0.02 MPa	0.03 MPa	0.04 MPa	0.05 MPa	0.06 MPa	0.07 MPa	0.08 MPa
530	0.1	209	355	472	570	657	736	810	880
700		276	469	623	753	868	972	1,070	1,160
810		319	543	721	871	1,000	1,130	1,240	1,350
900		355	603	802	968	1,120	1,250	1,380	1,490
1400		552	938	1,250	1,510	1,740	1,940	2,140	2,330

*2) The above air consumption is for reference only and subject to design changes.

How to order

Please inquire or order for a specific nozzle using this coding system.

<Example> 2-3/8F SLNHA-H 530×0.1 PVC

2 - **3/8F** **SLNHA-H** **530** **×0.1** **PVC**

Number of inlets: 2, 3
 Thread size: 3/8F, 1/2F
 Slit length: 530, 700, 810, 900, 1400
 Material: S304, PVC