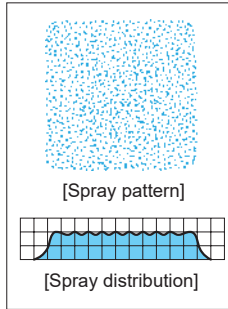


# Square Spray Nozzles

**SSXP**  
**SSXP-HTPVC**

Square Spray



### [Features]

- Square full cone spray pattern with uniform distribution.
- Wide spray angle of 90–100° provides large spray coverage.
- Square full cone spray pattern leaves no gaps in multiple-nozzle arrangements.
- X-shaped whirler provides large free passage diameter, minimizing clogging.

### [Standard pressure]

SSXP series: 0.2 MPa  
SSXP-HTPVC series: 0.15 MPa

### [Applications]

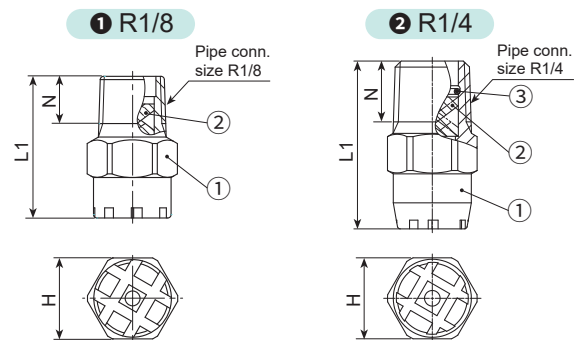
Cleaning: Gas, incinerator fumes, machinery, eliminators, screen, tanks, crushed stones, earth and sand  
Cooling: Gas, machinery, tanks, steels  
Spraying: Waste water treatment, foam breaking, fire extinguishing, dust suppression

## SSXP series

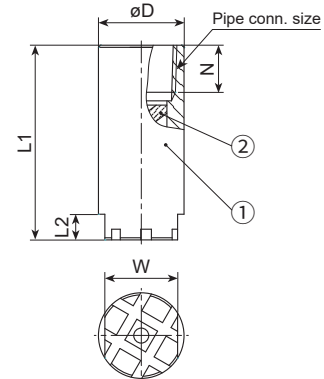
SSXP series	
Structure	<ul style="list-style-type: none"> <li>• One-piece structure with a press-fit X-shaped whirler. The size R1/4 standard models include a C-ring.</li> </ul>
Material	<ul style="list-style-type: none"> <li>• Sizes R1/8–Rc1: S303</li> <li>• Sizes Rc1*1/2 or larger: S316 (SCS14)</li> <li>• Optional material: S316L (SCS16)</li> </ul>

DWG No.	Pipe conn. size	Dimensions (mm)						Mass (g)
		L1	L2	H	W	øD	N	
①	R1/8	21	—	12	—	—	7	11.5
	R1/4	29	—	14	—	—	10.5	20
③	Rc3/8	45.5	6	—	17	20	11	70
	Rc1/2	56	8	—	22	25	14	150
	Rc3/4	73	10	—	27	32	15	300
	Rc1	94	14	—	34	40	17	575
	Rc1*1/2	131	20	—	50	58	19	1,690
	Rc2	168	24	—	60	70	23	2,910
	Rc2*1/2	199	27	—	80	90	27	5,860
Rc3	220	30	—	90	105	30	9,420	

[Note] Appearance and dimensions may differ slightly depending on materials and nozzle codes.



### ③ Rc3/8 and over

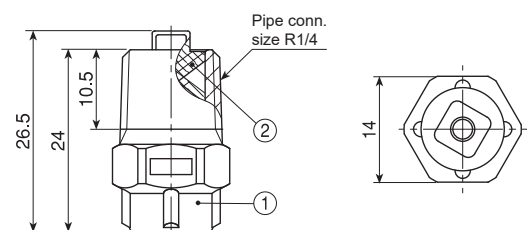


① Nozzle body ② Whirler ③ C-ring

## SSXP-HTPVC series

SSXP-HTPVC series	
Structure	<ul style="list-style-type: none"> <li>• One-piece structure with a X-shaped whirler.</li> </ul>
Material	<ul style="list-style-type: none"> <li>• HTPVC</li> </ul>
Mass	<ul style="list-style-type: none"> <li>• 3.1 g</li> </ul>

[Note] Appearance and dimensions may differ slightly depending on materials and nozzle codes.



① Nozzle body ② Whirler

# Square Spray Nozzles

## SSXP/SSXP-HTPVC series

Square Spray

### SSXP series

Spray capacity code	Pipe conn. size		Spray angle (°)			Spray capacity (ℓ/min)										Mean droplet diameter (μm)	Free passage diameter (mm)
	R1/8	R1/4	0.05 MPa	0.2 MPa	0.5 MPa	0.03 MPa	0.05 MPa	0.1 MPa	0.15 MPa	0.2 MPa	0.3 MPa	0.5 MPa	0.7 MPa	1 MPa			
020	○		86	90	81	—	1.06	1.46	1.75	2.00	2.36	2.91	3.34	3.86	330	0.9	
030	○		86	90	81	—	1.59	2.18	2.63	3.00	3.54	4.36	5.00	5.79	380	1.2	
040		○	90	95	85	—	2.12	2.91	3.51	4.00	4.72	5.81	6.67	7.72	360	1.3	
050		○	91	95	86	—	2.65	3.64	4.38	5.00	5.90	7.27	8.34	9.64	360	1.7	
060		○	91	95	86	2.51	3.18	4.37	5.26	6.00	7.08	8.72	10.0	11.6	490	1.7	

Spray capacity code	Pipe connection size								Spray angle (°)			Spray capacity (ℓ/min)								Mean droplet dia. (μm)	Free pass. dia. (mm)	
	Rc 3/8	Rc 1/2	Rc 3/4	Rc 1	Rc 1 1/2	Rc 2	Rc 2 1/2	Rc 3	0.05 MPa	0.2 MPa	0.5 MPa	0.03 MPa	0.05 MPa	0.1 MPa	0.15 MPa	0.2 MPa	0.3 MPa	0.5 MPa	0.7 MPa			1 MPa
070	○								94	100	89	2.93	3.71	5.09	6.14	7.00	8.26	10.2	11.7	13.5	440	2.0
080	○								95	100	90	3.35	4.24	5.82	7.01	8.00	9.44	11.6	13.3	15.4	5	2.0
10	○								96	100	91	4.19	5.29	7.28	8.77	10.0	11.8	14.5	16.7	19.3	5	2.6
12	○								97	100	92	5.03	6.35	8.73	10.5	12.0	14.2	17.4	20.0	23.1	630	2.6
16		○							95	100	90	6.70	8.47	11.6	14.0	16.0	18.9	23.3	26.7	30.9	5	2.8
20		○							96	100	91	8.36	10.6	14.6	17.5	20.0	23.6	29.1	33.4	38.6	710	3.5
30			○						96	100	91	12.6	15.9	21.8	26.3	30.0	35.4	43.6	50.0	57.9	5	3.8
40			○						97	100	92	16.8	21.2	29.1	35.1	40.0	47.2	58.1	66.7	77.2	5	4.8
50				○					95	100	90	20.9	26.5	36.4	43.8	50.0	59.0	72.7	83.4	96.4	750	5.4
60				○					96	100	91	25.1	31.8	43.7	52.6	60.0	70.8	87.2	100	115	5	5.4
80				○					97	100	92	33.5	42.4	58.2	70.1	80.0	94.4	115	135	155	1,000	6.0
100					○				96	100	91	41.9	52.9	72.8	87.7	100	120	145	170	195	5	7.1
150					○				97	100	92	62.8	79.4	110	130	150	180	220	250	290	5	10.2
300						○			97	100	92	125	160	220	265	300	355	435	500	580	1,350	12.7
500							○		97	100	92	210	265	365	440	500	590	730	835	965	1,500	16.8
700							○		97	100	92	290	370	510	615	700	826	1,020	1,170	1,350	1,700	19.6

### SSXP-HTPVC series [1/4MSSXP1.5\*65/4.5HTPVC]

Spray angle (°)					Spray capacity (ℓ/min)							Mean droplet diameter (μm)	Free passage diameter (mm)
0.05 MPa	0.15 MPa	0.5 MPa	0.05 MPa	0.1 MPa	0.15 MPa	0.2 MPa	0.3 MPa	0.5 MPa	0.7 MPa	1 MPa			
56	65	65	2.72	3.74	4.50	5.14	6.06	7.46	8.56	9.90	450	2.2	

### How to order

Please inquire or order for a specific nozzle using this coding system.

#### ① SSXP series (metal)

〈Example〉 1/8M SSXP 020 S303

1/8M SSXP 020 S303

Pipe conn. size*	Spray capacity code	Material
1/8M	020	S303
3F	700	S316

#### ② SSXP-HTPVC series (plastic)

1/4M SSXP 1.5\*65/4.5 HTPVC

\*"M" indicates male thread ("R" of the ISO standard) and "F" indicates female thread ("Rc" of the ISO standard), e.g. 1/8M = R1/8.