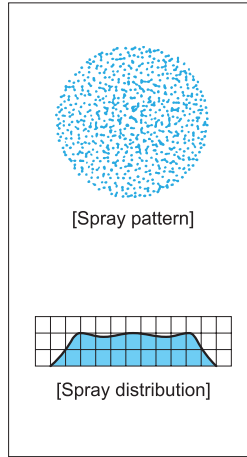


Flange-type, Large Capacity Full Cone Spray Nozzles

TJJX



[Features]

- Full cone spray pattern with a round impact area and uniform distribution.
- Flange connection.
- X-shaped whirler provides large free passage diameter, minimizing clogging.
- Adopting newly developed X-shaped whirler has shortened total nozzle length by 20% compared to conventional nozzles.

[Standard pressure]

0.2 MPa

[Applications]

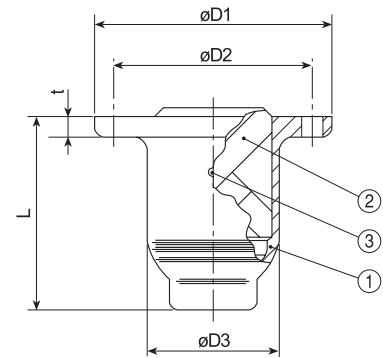
- Cooling: Gas, liquids
- Reacting: Chemical plants
- Spraying: Aeration, sea water desalination

Full Cone

TJJX series

TJJX series	
Structure	<ul style="list-style-type: none"> • One-piece structure with a removable X-shaped whirler fixed to nozzle body by lock bolt. • Flanged connection.
Material	<ul style="list-style-type: none"> • Nozzle body: S304, S316, SCS13, or SCS14 • Whirler: SCS13 or SCS14 • Lock bolt: S316 • Optional material: S316L, SCS16

Flange size (inch)	Dimensions (mm)					Flange bolt holes (JIS 10K)		Mass (kg)
	L	øD1	øD2	øD3	t	Number of holes	Diameter (mm)	
4	171	210	175	117	18	8	19	9.3
5	211	250	210	143	20	8	23	11.4
6	253	280	240	169	22	8	23	22.7



① Nozzle body ② Whirler ③ Lock bolt

[Note] Appearance and dimensions may differ slightly depending on materials and nozzle codes.

Spray capacity code	Flange connection size (inch)			Spray angle (°)			Spray capacity (ℓ/min)						Mean droplet diameter (μm)	Free passage diameter (mm)	
	4	5	6	0.05 MPa	0.2 MPa	0.5 MPa	0.03 MPa	0.05 MPa	0.1 MPa	0.15 MPa	0.2 MPa	0.3 MPa			0.5 MPa
1500	○			90	90	75	628	794	1,091	1,315	1,500	1,770	2,180	1,850	29
2000	○			100	100	85	838	1,059	1,455	1,753	2,000	2,360	2,907		
2500		○		90	90	75	1,047	1,324	1,819	2,191	2,500	2,950	3,634	2,500	36
3000		○		100	100	85	1,257	1,588	2,183	2,629	3,000	3,540	4,361		
3500			○	90	90	75	1,466	1,853	2,547	3,067	3,500	4,130	5,087	2,650	44
4000			○	95	95	80	1,675	2,118	2,911	3,505	4,000	4,720	5,814		

[Note] TJJX series nozzle with larger spray flow and larger flange size is available upon request.

How to order

Please inquire or order for a specific nozzle using this coding system.

<Example> 4 TJJX 1500 S304


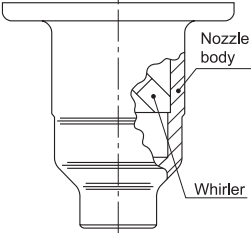
4	TJJX	1500	S304
Flange conn. size		Spray capacity code	Material
■ 4		■ 1500	■ S304
}		}	■ S316
■ 6		■ 4000	■ SCS13
			■ SCS14

Flange-type, Large Capacity Full Cone Spray Nozzles
TJJX series

Sister Products

For spraying slurry, wear resistance of nozzles must be considered. TJJX-SiC series nozzles made of high wear-resistant SiC (silicon nitride bonded silicon carbide) are available for such applications. Please contact us for details.

Full Cone

Series	Appearance	Structure	Features	Applications
TJJX-SiC			<ul style="list-style-type: none"> • Full cone spray pattern with a round impact area and uniform distribution. • X-shaped whirler provides large free passage diameter, minimizing clogging. • Whole nozzle fired as one piece. • High wear-resistant and lightweight structure made of SiC. <p>[Note] Since TJJX-SiC series nozzles are die-cast molded, the spray capacity is guaranteed within +/-10% and the spray angle within +/-7° under standard pressure.</p>	<ul style="list-style-type: none"> • Spraying recirculated water for water granulation • Other applications for spraying slurry